



**KALCO.**  
Handcrafted Since 1980

# ASSEMBLY & INSTALLATION INSTRUCTIONS

MODEL: 403323  
WINCHESTER 3 LIGHT LARGE WALL BRACKET

## I M A G E



If you have any questions or problems assembling your fixture please call us for assistance.

Customer Service: (702) 361-4345 or (800) 525-2655  
[customer.services@kalco.com](mailto:customer.services@kalco.com)

**WARNING!** TO REDUCE THE RISK OF FIRE OR INJURY PLEASE TAKE PRECAUTION AND FOLLOW THE STEPS BELOW.

1. If you are unfamiliar with electrical wiring, call a qualified electrician to install this unit. More than one person may be necessary to install fixture, make sure you have enough qualified help.
2. Turn off the power to the fixture's circuit at the service panel. Use a voltage detector to verify that the power is off.
3. DO NOT install bulb which exceeds the maximum wattage specified on the socket label.

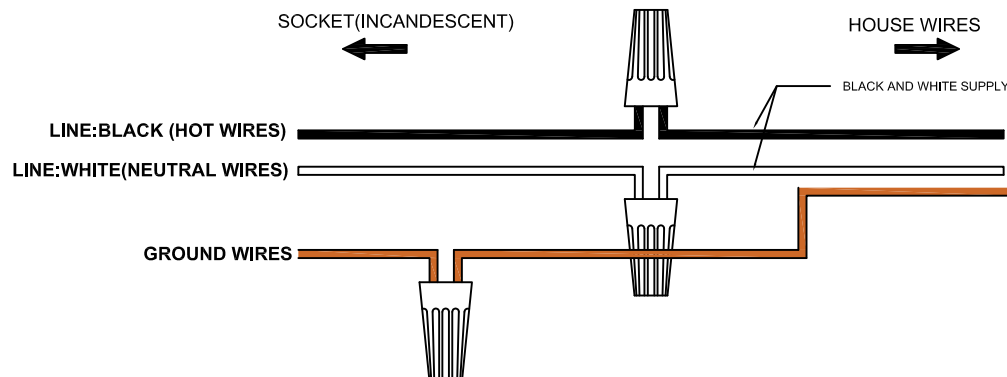
Si vous avez des questions ou des problèmes assemblage de votre dispositif s'il vous plaît appel pour l'assistance.

Customer Service: (702) 361-4345 or (800) 525-2655  
[customer.services@kalco.com](mailto:customer.services@kalco.com)

**AVERTISSEMENT!** POUR RÉDUIRE LES RISQUES D'INCENDIE OU DE BLESSURES S'IL VOUS PLAÎT PRENDRE DES PRÉCAUTIONS ET SUIVEZ LES ÉTAPES CI-DESSOUS.

1. Si vous n'êtes pas familier avec le câblage électrique, appelez un électricien qualifié pour installer cet appareil. Plus d'une personne peut être nécessaire d'installer appareil, assurez vous que vous disposez de l'aide assez qualifié.
2. Coupez l'alimentation au circuit de l'appareil sur le tableau de service. Utiliser un détecteur de tension pour vérifier que l'alimentation est coupée
3. NE PAS installer l'ampoule qui excède la puissance maximale indiquée sur l'étiquette du socket.

## WIRING DIAGRAM





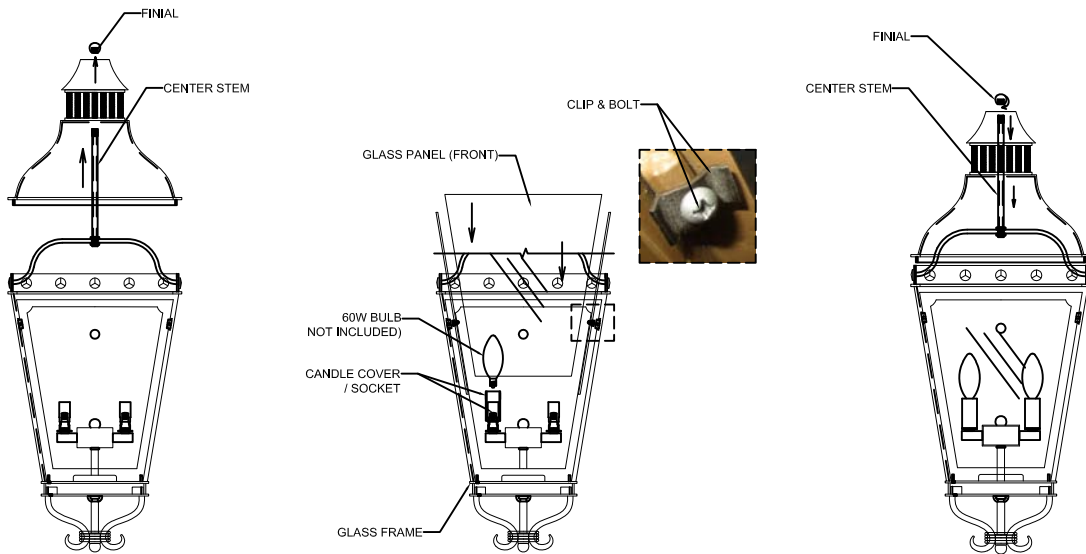
**KALCO**  
Handcrafted Since 1980

# ASSEMBLY & INSTALLATION INSTRUCTIONS

MODEL: 403323

WINCHESTER 3 LIGHT LARGE WALL BRACKET

## COMPONENT ASSEMBLY



**STEP 1:** Disassemble the item by removing fixture finial to the main fixture stem.

**STEP 2:** Drop the glass panel to the glass panel frame and secure with clip & bolt as shown.

**STEP 3:** Insert the candle cover & install bulb, do not use bulbs that exceed 60 Watts.

**STEP 4:** Reverse Step 1.

**NOTE:** TO AVOID ELECTRIC SHOCK, APPLY WATER SEALANT ON ALL SIDES OF THE FIXTURE MOUNTED ON THE WALL.



**KALCO**  
Handcrafted Since 1980

# ASSEMBLY & INSTALLATION INSTRUCTIONS

MODEL: 403323

WINCHESTER 3 LIGHT LARGE WALL BRACKET

## ELECTRICAL/MOUNTING INSTALLATION

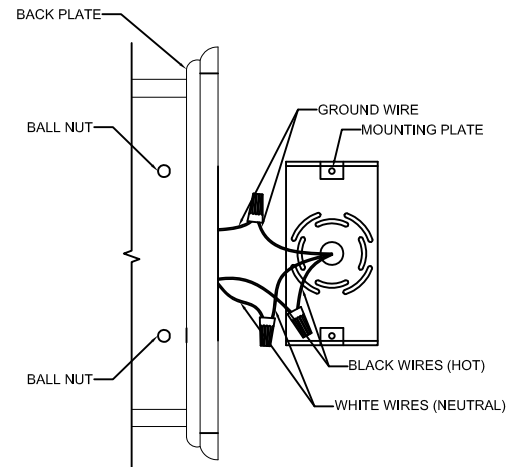
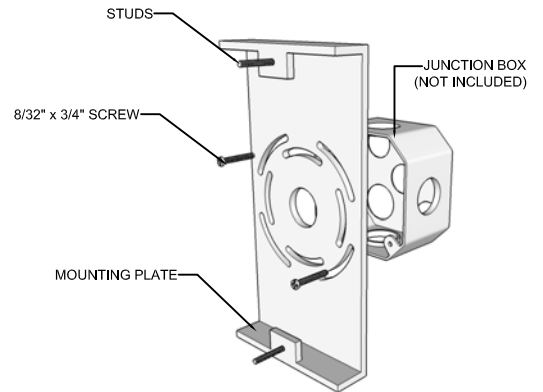
**STEP 5:** Fasten (2) studs into mounting plate so that they extend away from the ceiling when the mounting plate is installed.

**STEP 6:** Attach mounting plate to outlet box with the (2) 8-32 x 3/4" screws.

**STEP 7:** Refer to wiring diagram. With wire carefully threaded thru canopy, connect the black supply wire to the black fixture wire with wire connector, connect the white supply wire to the white fixture wire with wire connector. Connect ground wire from fixture with supply ground wire.

**STEP 8:** Carefully tuck all wires into outlet box ensuring that there are no wires pinched between the backplate and wall.

**STEP 9:** Attach the back plate to mounting plate and secure using two (2) pcs. of ball nut.



### LIGHTING MAINTENANCE:

- Regular cleaning of fixture with proper and gentle care using a soft duster, soft lint-free or damp cloth is recommended.
- Refrain from using harsh cleaning liquids that may cause chemical reaction on the hand painted finishes.
- Always refer to the Assembly Instruction before removing any components.
- **HANDLE WITH CARE.**



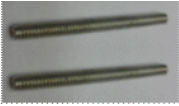




**KALCO.**  
Handcrafted Since 1980

# ASSEMBLY & INSTALLATION INSTRUCTIONS

**MODEL: 403323**  
**WINCHESTER 3 LIGHT LARGE WALL BRACKET**

## PARTS LIST

IMAGE	PARTS NAME	QTY
	Screw	2 PCS
	Ball Nut	2 PCS
	Stud	2 PCS
	Candle Cover	3 PCS
	Glass panel	4 PCS