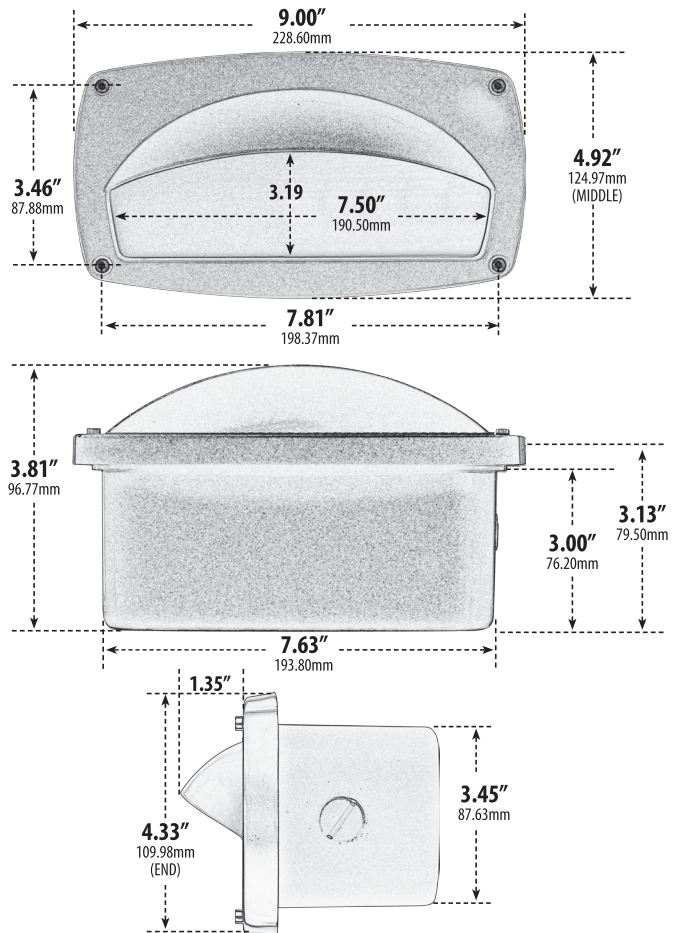


DSL1014

RECESSED BRICK, STEP AND WALL LIGHT



- ▶ **Material:** Powder Coated Cast Aluminum
- ▶ **Lens:** White, Heat Resistant, Plastic

MODEL NUMBER	LAMP TYPE	ILLUMINANT TYPE	WATTS (W)	VOLTS (V)	LAMP(S) INCLUDED?
DSL1014	T10	INCANDESCENT	40	120	NO
DSL1045	PL5	FLUORESCENT	5	120	YES
DSL1047	PL7	FLUORESCENT	7	120	YES
DSL1049	PL9	FLUORESCENT	9	120	YES
DSL1053	PLQ13	FLUORESCENT	13	120	YES
DSL1054	S13-GU24	FLUORESCENT	13	120	YES
DSL1056	S26-GU24	FLUORESCENT	26	120	YES
DSL1089	G24-LED	60 LEDs	11	120-277	YES

- ▶ **Available Finish:** Black, Bronze, Verde Green, White
- ▶ **Recessed Mount**
- ▶ **Replacement Cover Plate:** P-CVR-DSL1014 (sold separately)
- ▶ **ETL Approved**

DSL1014: 2.00 lbs Incandescent (no lamp included)
 DSL1045: 2.40 lbs
 DSL1047: 2.40 lbs
 DSL1049: 2.40 lbs
 DSL1053: 2.40 lbs
 DSL1054: 2.40 lbs
 DSL1056: 2.40 lbs
 DSL1089: 2.40 lbs

Overall Dimensions:
 4.95"H x 9.00"W x 3.80"D

Wire Length: 5.00"
 Box Dimensions: 9.44"H x 5.58"W x 5.12"D



DABMAR LIGHTING INCORPORATED

2140 Eastman Ave . Oxnard, CA 93030 . 805.604.9090 . f: 805.604.9050 . www.dabmar.com